

Series US362

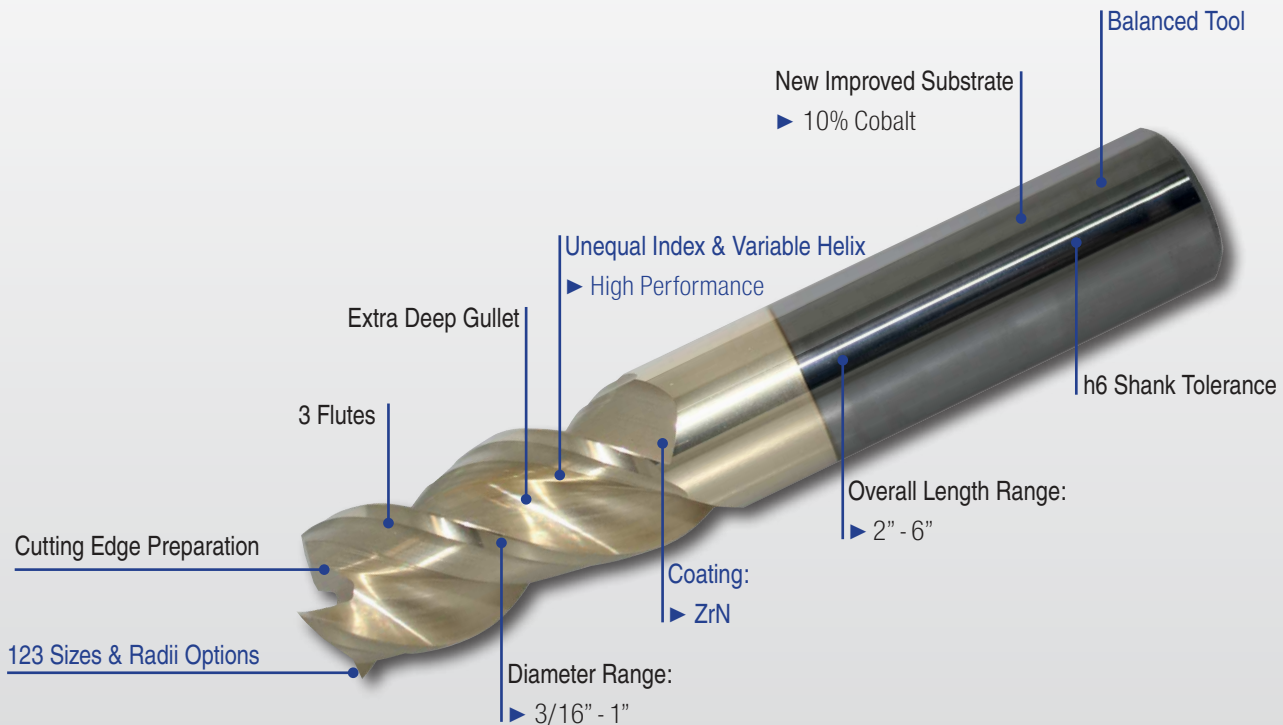
3 FL Aluminum – High Performance

German Engineered.

American Made.

PROMAX

ZrN Coating



- Latest technology in geometry and coating to aid in high chip evacuation rates.
- Offered in PROMAX ZrN coating.
- Designed for wide range of applications:
 - ▶ Aluminium
 - ▶ Aluminum High Silicone
 - ▶ Copper
 - ▶ Brass
- Works with a variety of parameters.

PROMAX

Premium

CERATIZIT Sacramento LP

11312 Sunrise Gold Circle

Rancho Cordova, CA 95742

T: 800-878-0502 \ 916-638-0501

E: orders.sacramento@ceratizit.com

www.promaxtools.com

NEW Series US362
3 FL Aluminum – High Performance

PROMAX
ZrN Coating

Cutting DIA (d ₁)	Shank DIA (d ₂)	LOC (l ₂)	OAL (l ₁)	Square End	0.015 Radius (R)	0.030 Radius (R)	0.060 Radius (R)	0.090 Radius (R)	0.125 Radius (R)	0.190 Radius (R)	0.250 Radius (R)
3/16	3/16	3/8	2	US362002	US362004	US362006					
3/16	3/16	3/4	2 1/2	US362008	US362010	US362012					
3/16	3/16	1	3	US362014	US362016	US362018					
1/4	1/4	3/8	2	US362032	US362034	US362036	US362038				
1/4	1/4	3/4	2 1/2	US362040	US362042	US362044	US362046				
1/4	1/4	1	3	US362048	US362050	US362052	US362054				
3/8	3/8	1/2	2	US362072	US362074	US362076	US362078	US362080			
3/8	3/8	1	2 1/2	US362082	US362084	US362086	US362088	US362090			
3/8	3/8	1 1/2	3 1/2	US362092	US362094	US362096	US362098	US362100			
1/2	1/2	5/8	2 1/2	US362122	US362124	US362126	US362128	US362130	US362132		
1/2	1/2	1	3	US362134	US362136	US362138	US362140	US362142	US362144		
1/2	1/2	1 1/4	3	US362146	US362148	US362150	US362152	US362154	US362156		
1/2	1/2	1 5/8	4	US362182	US362184	US362186	US362188	US362190	US362192		
1/2	1/2	2	4	US362194	US362196	US362198	US362200	US362202	US362204		
5/8	5/8	3/4	3	US362230		US362232	US362234	US362236	US362238		
5/8	5/8	1 1/4	3 1/2	US362240		US362242	US362244	US362246	US362248		
5/8	5/8	1 5/8	4	US362250		US362252	US362254	US362256	US362258		
3/4	3/4	1	3	US362280		US362282	US362284	US362286	US362288	US362290	US362292
3/4	3/4	1 5/8	4	US362308		US362310	US362312	US362314	US362316	US362318	US362320
3/4	3/4	2 1/4	5	US362322		US362324	US362326	US362328	US362330	US362332	US362334
1	1	1 1/4	4	US362364		US362366	US362368	US362370	US362372	US362374	US362376
1	1	2	5	US362378		US362380	US362382	US362384	US362386	US362388	US362390
1	1	3 1/4	6	US362392		US362394	US362396	US362398	US362400	US362402	US362404

Call your local PROMAX Distributor to order Today

AVAILABLE NOW

Series US007

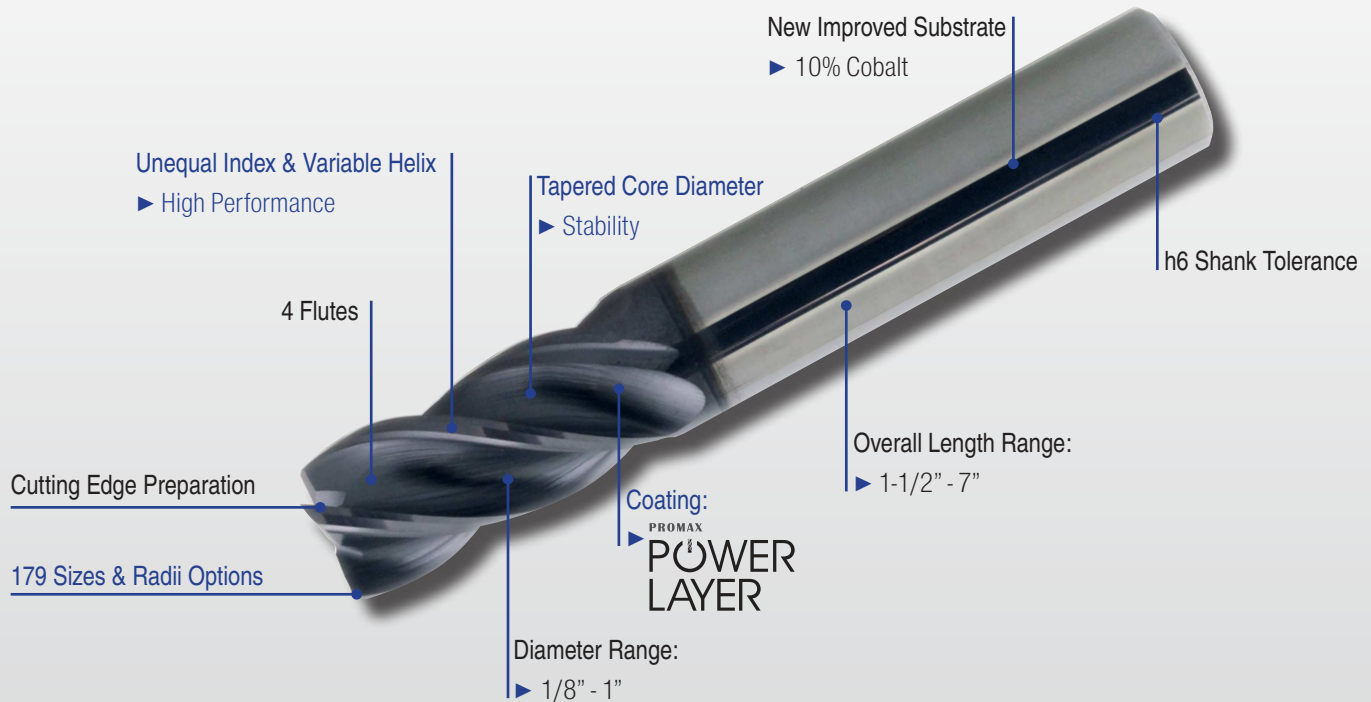
4 FL Universal – High Performance

German Engineered.

American Made.

PROMAX

POWER LAYER



- Latest technology in geometry and coating.
- Offered in New PROMAX PowerLayer Coating.
- Designed for both roughing and finishing for a wide range of applications in:
 - ▶ Steel
 - ▶ Tool Steel
 - ▶ Stainless Steel
 - ▶ Titanium
 - ▶ High Temperature Alloys
 - ▶ Cast Iron
 - ▶ Copper, Brass
 - ▶ Ferrous Aircraft and Aerospace materials including hard Aluminum
- Works with a variety of parameters.

PROMAX

Premium

CERATIZIT Sacramento LP
11312 Sunrise Gold Circle
Rancho Cordova, CA 95742
T: 800-878-0502 \ 916-638-0501
E: orders.sacramento@ceratizit.com

www.promaxtools.com

NEW Series US007

4 FL Universal – High Performance

PROMAX
**POWER
LAYER**

Cutting DIA (d ₁)	Shank DIA (d ₂)	LOC (l ₂)	OAL (l ₁)	Square End	0.010 Radius (R)	0.020 Radius (R)	0.030 Radius (R)	0.060 Radius (R)	0.090 Radius (R)	0.125 Radius (R)	0.190 Radius (R)	0.250 Radius (R)
1/8	1/8	1/4	1 1/2	US007001	US007002		US007003					
1/8	1/8	1/2	2 1/2	US007004	US007005		US007006					
3/16	3/16	5/16	2	US007016	US007017		US007018					
3/16	3/16	5/8	2 1/2	US007019	US007020		US007021					
1/4	1/4	3/8	2	US007031		US007032	US007033	US007034				
1/4	1/4	1/2	2 1/2	US007035		US007036	US007037	US007038				
1/4	1/4	3/4	2 1/2	US007039		US007040	US007041	US007042				
1/4	1/4	1	3	US007047		US007048	US007049	US007050				
5/16	5/16	1/2	2	US007059		US007060	US007061	US007062				
5/16	5/16	3/4	2 1/2	US007063		US007064	US007065	US007066				
5/16	5/16	1 1/4	3	US007067		US007068	US007069	US007070				
3/8	3/8	1/2	2	US007071		US007072	US007073	US007074	US007075			
3/8	3/8	7/8	3	US007076		US007077	US007078	US007079	US007080			
3/8	3/8	1	3	US007081		US007082	US007083	US007084	US007085			
3/8	3/8	1 1/4	3	US007086		US007087	US007088	US007089	US007090			
1/2	1/2	5/8	2 1/2	US007111		US007112	US007113	US007114	US007115	US007116		
1/2	1/2	1	3	US007117		US007118	US007119	US007120	US007121	US007122		
1/2	1/2	1 1/4	3	US007123		US007124	US007125	US007126	US007127	US007128		
1/2	1/2	1 5/8	4	US007141		US007142	US007143	US007144	US007145	US007146		
5/8	5/8	3/4	3	US007159			US007160	US007161	US007162	US007163		
5/8	5/8	1 1/4	3 1/2	US007164			US007165	US007166	US007167	US007168		
5/8	5/8	1 5/8	3 1/2	US007169			US007170	US007171	US007172	US007173		
5/8	5/8	2	4	US007179			US007180	US007181	US007182	US007183		
5/8	5/8	3 1/4	6	US007199			US007200	US007201	US007202	US007203		
3/4	3/4	7/8	3	US007204			US007205	US007206	US007207	US007208	US007209	US007210
3/4	3/4	1 1/4	4	US007218			US007219	US007220	US007221	US007222	US007223	US007224
3/4	3/4	1 5/8	4	US007225			US007226	US007227	US007228	US007229	US007230	US007231
3/4	3/4	2 1/4	5	US007232			US007233	US007234	US007235	US007236	US007237	US007238
3/4	3/4	3 1/4	6	US007260			US007261	US007262	US007263	US007264	US007265	US007266
1	1	1 1/2	4	US007274			US007275	US007276	US007277	US007278	US007279	US007280
1	1	2	4 1/2	US007281			US007282	US007283	US007284	US007285	US007286	US007287
1	1	2 5/8	5	US007288			US007289	US007290	US007291	US007292	US007293	US007294
1	1	3	6	US007316			US007317	US007318	US007319	US007320	US007321	US007322
1	1	4 1/4	7	US007323			US007324	US007325	US007326	US007327	US007328	US007329

Call your local PROMAX Distributor to order Today

AVAILABLE NOW

Series US556

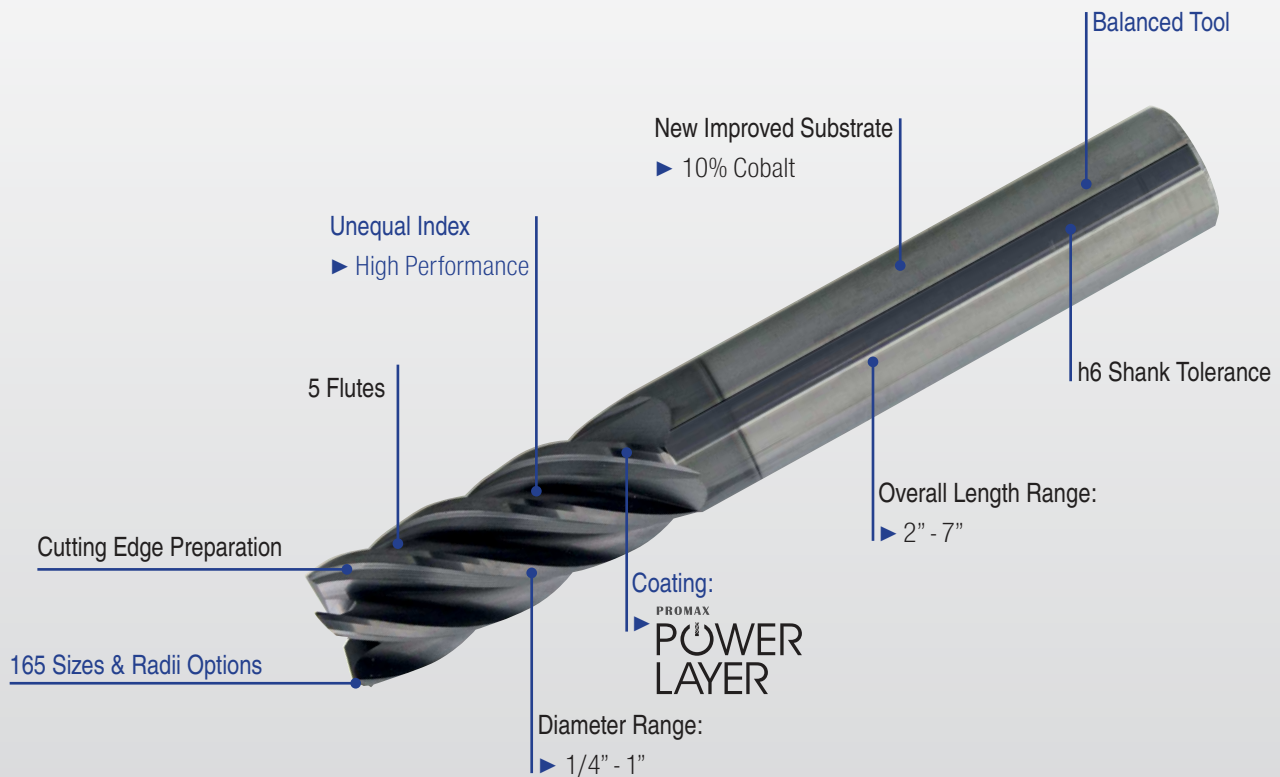
5 FL Universal – High Performance

German Engineered.

American Made.

PROMAX

POWER LAYER



- Latest technology in geometry and coating.
- Offered in New PROMAX PowerLayer Coating.
- Designed for both roughing and finishing for a wide range of applications in:
 - ▶ Steel
 - ▶ Tool Steel
 - ▶ Stainless Steel
 - ▶ High Temperature Alloys
 - ▶ Cast Iron
 - ▶ Titanium
- Works with a variety of parameters.

PROMAX

Premium

CERATIZIT Sacramento LP
11312 Sunrise Gold Circle
Rancho Cordova, CA 95742
T: 800-878-0502 \ 916-638-0501
E: orders.sacramento@ceratizit.com

www.promaxtools.com

NEW Series US556

5 FL Universal – High Performance

PROMAX
**POWER
LAYER**

Cutting DIA (d ₁)	Shank DIA (d ₂)	LOC (l ₂)	OAL (l ₁)	Square End	0.015 Radius (R)	0.030 Radius (R)	0.060 Radius (R)	0.090 Radius (R)	0.125 Radius (R)	0.190 Radius (R)	0.250 Radius (R)
1/4	1/4	3/8	2	US556048	US556049	US556050	US556051				
1/4	1/4	1/2	2 1/2	US556052	US556053	US556054	US556055				
1/4	1/4	3/4	2 1/2	US556056	US556057	US556058	US556059				
1/4	1/4	1	3	US556060	US556061	US556062	US556063				
1/4	1/4	1 1/4	3	US556064	US556065	US556066	US556067				
3/8	3/8	1/2	2	US556080	US556081	US556082	US556083	US556084			
3/8	3/8	1	3	US556085	US556086	US556087	US556088	US556089			
3/8	3/8	1 1/4	3	US556090	US556091	US556092	US556093	US556094			
3/8	3/8	1 1/2	3 1/2	US556095	US556096	US556097	US556098	US556099			
1/2	1/2	5/8	2 1/2	US556120	US556121	US556122	US556123	US556124	US556125		
1/2	1/2	1	3	US556126	US556127	US556128	US556129	US556130	US556131		
1/2	1/2	1 1/4	3	US556132	US556133	US556134	US556135	US556136	US556137		
1/2	1/2	1 5/8	4	US556150	US556151	US556152	US556153	US556154	US556155		
1/2	1/2	2	4	US556156	US556157	US556158	US556159	US556160	US556161		
5/8	5/8	3/4	3	US556174		US556175	US556176	US556177	US556178		
5/8	5/8	1 1/4	3 1/2	US556179		US556180	US556181	US556182	US556183		
5/8	5/8	1 5/8	3 1/2	US556184		US556185	US556186	US556187	US556188		
5/8	5/8	2 1/8	4	US556194		US556195	US556196	US556197	US556198		
5/8	5/8	2 1/2	5	US556199		US556200	US556201	US556202	US556203		
3/4	3/4	1	3	US556219		US556220	US556221	US556222	US556223	US556224	US556225
3/4	3/4	1 5/8	4	US556233		US556234	US556235	US556236	US556237	US556238	US556239
3/4	3/4	2 1/4	5	US556240		US556241	US556242	US556243	US556244	US556245	US556246
3/4	3/4	2 3/4	5	US556247		US556248	US556249	US556250	US556251	US556252	US556253
3/4	3/4	3 1/4	6	US556275		US556276	US556277	US556278	US556279	US556280	US556281
1	1	1 1/4	4	US556289		US556290	US556291	US556292	US556293	US556294	US556295
1	1	2	4 1/2	US556296		US556297	US556298	US556299	US556300	US556301	US556302
1	1	2 5/8	5	US556303		US556304	US556305	US556306	US556307	US556308	US556309
1	1	3 1/4	6	US556331		US556332	US556333	US556334	US556335	US556336	US556337
1	1	4 1/4	7	US556338		US556339	US556340	US556341	US556342	US556343	US556344

Call your local PROMAX Distributor to order Today

AVAILABLE NEW